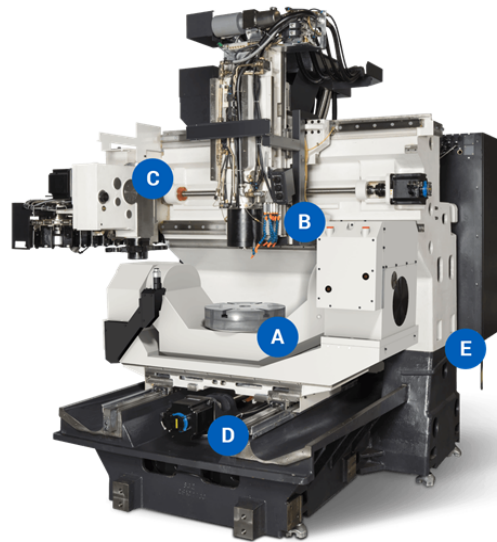


The Affordable, 5-Axis Powerhouse You've Been Waiting For!

 **GENOS M460V-5AX**
Vertical Machining Center



Features of the GENOS M460V-5AX Includes:

- * Advanced One Touch Conversational Programming
- * CAT40 BIG-PLUS 15,000 RPM Spindle
- * 48 Tools ATC
- * Prep for Hydraulic Fixture
- * ABSO Scales, X-,Y-,Z-
- * LNS Side Conveyor ***Bonus***

- A. Superior Trunnion Construction
- B. High-Performance Spindle Design
- C. High-Precision Ball Screws
- D. 5-Axis Auto-Tuning System
- E. Thermo-Friendly Concept

MMTS Special Package Price:
\$ 315,000.00 USD

Here's The Deal

- Okuma's OEM Industry-Leading 5-Year Warranty (3 Year Machine, 5 Year OSP Control)
- Special Financing Options
- Special Package Price Includes:
(Freight, Transformer, Hydro Approval, Training & Commissioning)
- Customer PO must be received prior June 30, 2022.

*10% Down Payment Required with purchase order. All pricing is in USD and plus applicable taxes. Subject to credit approval. Machines on a first come first serve basis. Promotional pricing is applicable for Ontario & Quebec.

READY FOR QUICK DELIVERY!

**SEE THIS SOLUTION IN PERSON
MAY 04 & 05**

Contact Us Today!
sales@emecmt.com
905-565-3570 Ext. 229